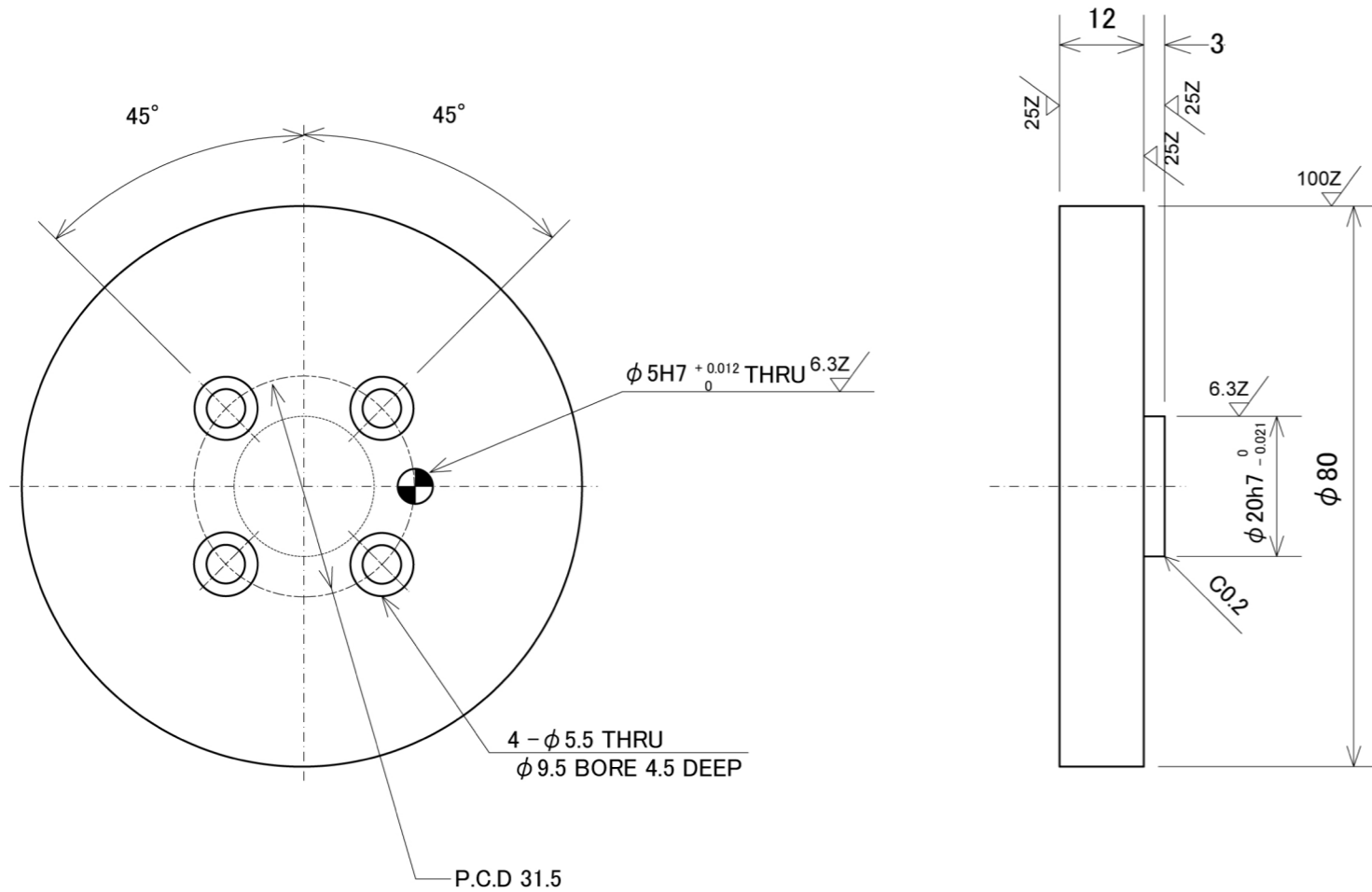
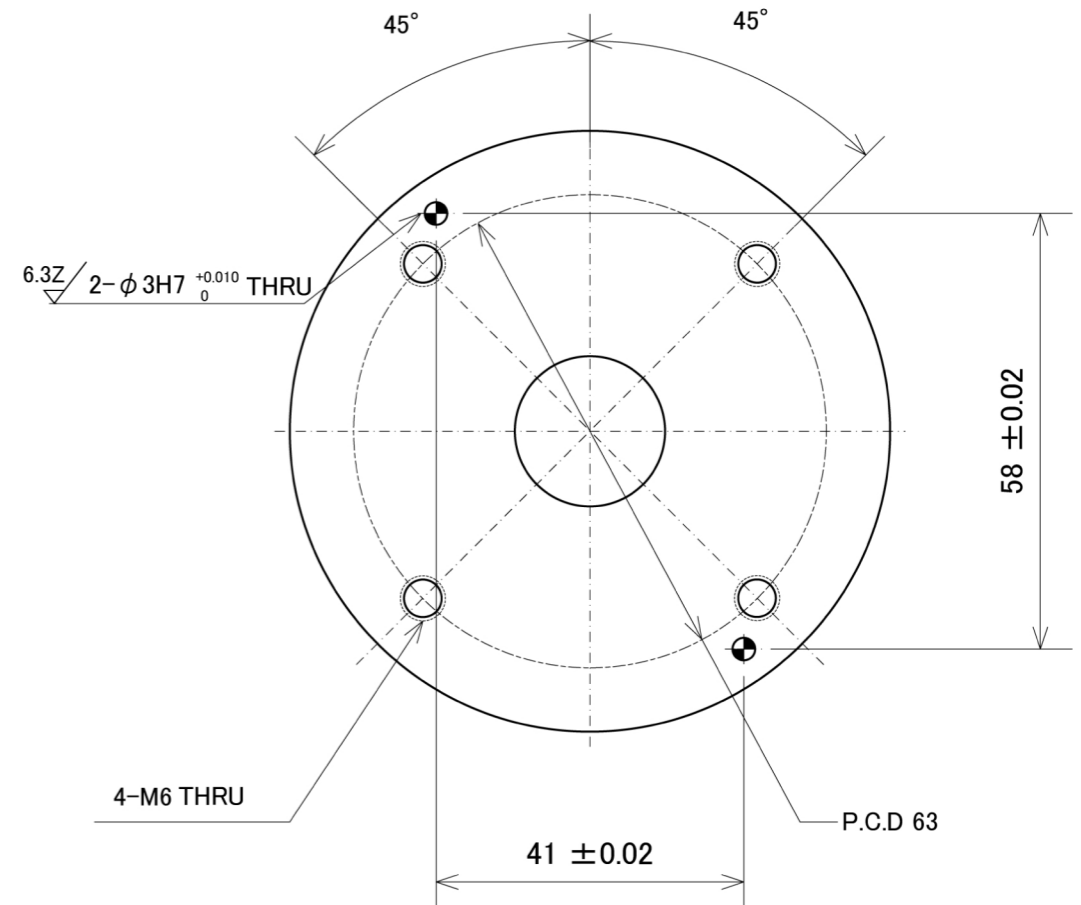


Mounting stay for the force sensor Dyn-Pic
(manufactured by WACOH-TECH Inc.)

(Note) Unless otherwise specified, comers be C0.5



According to the diagram above,
open mounting holes for the robot
from the force sensor mounting side.



According to the diagram above,
open mounting holes for the force sensor
from the robot mounting side.

Name : Flange 1
Material : A2017
Number of pieces : 1piece